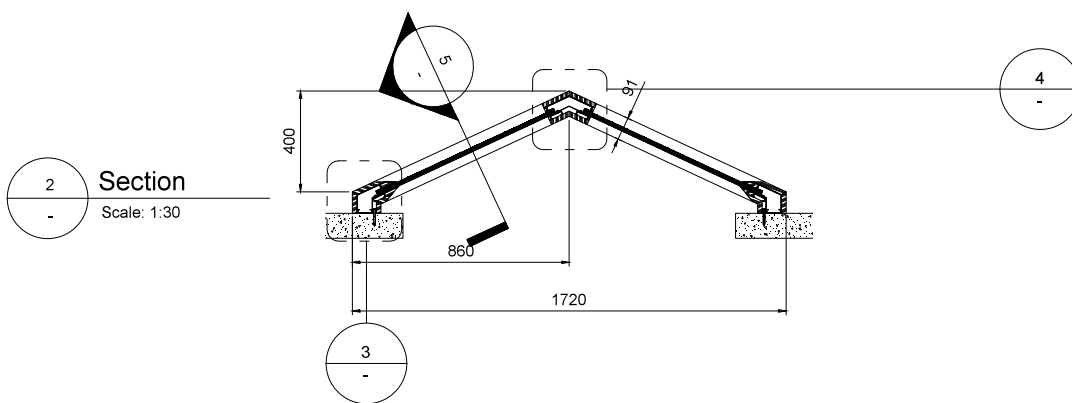


1
-
Top View
Scale: 1:30



2
-
Section
Scale: 1:30

Notes:
-

Revisions					
Rev	Date	By	Chk	Description	Notes
02	06.10.15	VJ	RG	Drawing Edited	
01	03.10.15	VJ	RG	Drawing Created	

Manufacturer

Client

Project
-

Drawing
Roof Window Overview

Project Number	Revision 2
Drawing No. 1	
Scale at A4 1:30	Date 06.10.15
Drawn by VJ	Checked by RG