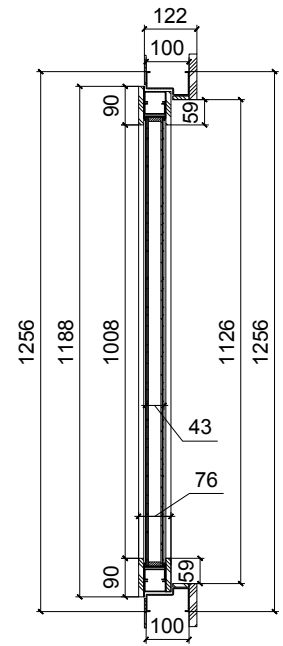
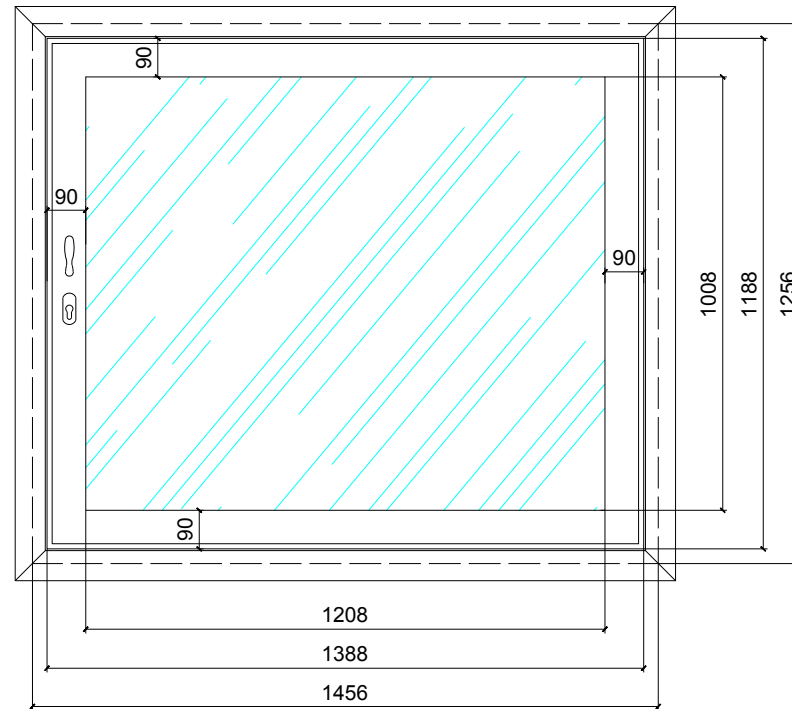
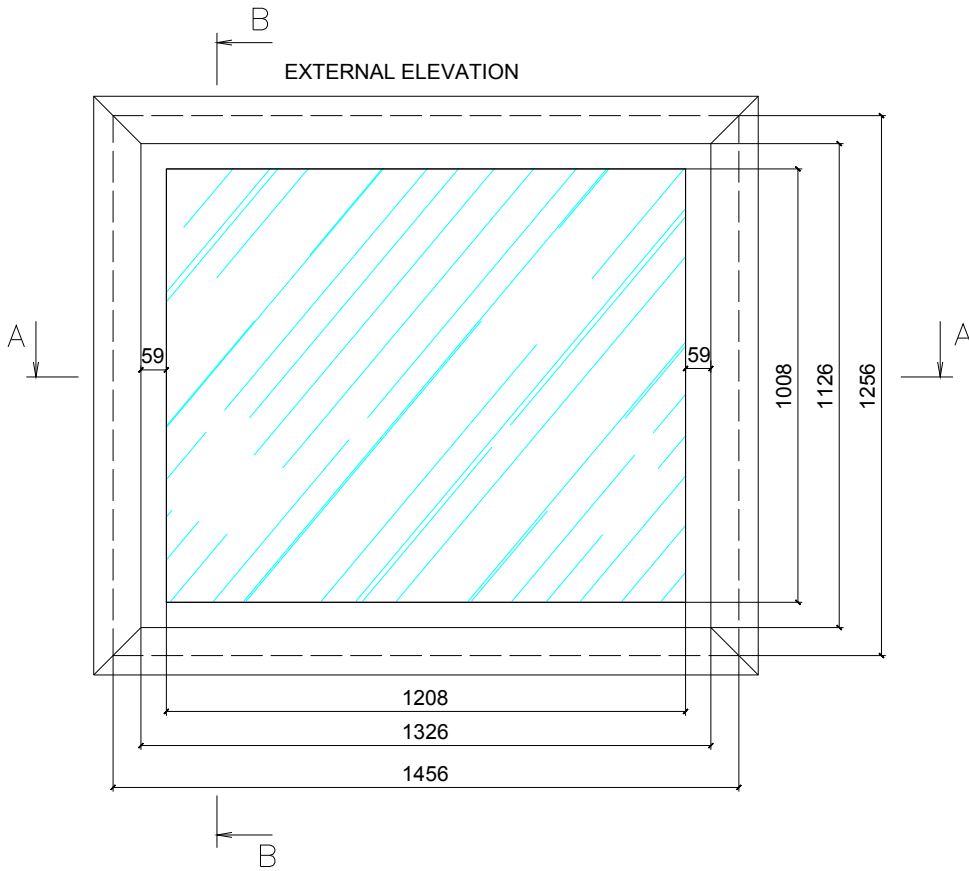
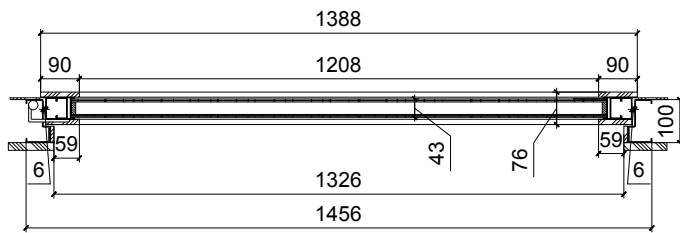


EXTERNAL ELEVATION

INTERNAL ELEVATION



A-A



REV.	NOT	REVISION REFER TO	SIGN	DATE
------	-----	-------------------	------	------

MAGNIFICENT SECURITY
designer | defence | different
 59 Chalton Street,
 London, NW1 1HY
 Phone: 0203 444 0064

WINDOW

Sheet 1 No. of sheets 1 SCALE: NOT TO SCALE

DRAWN BY: I.S.	REQUESTED BY: R.C.	DATE: 02-04-2017	CAD dwg Ref. No. F1A148A	REV.
THIS DOCUMENT CONTAINS CONFIDENTIAL AND PROPRIETARY INFORMATION DO NOT COPY OR DISCLOSE WITHOUT CONSENT OF MAGNIFICENT SECURITY LTD			CLIENTS REF. NUMBER: n/a	